

From: kmrobinson@fieldstonelandconsultants.com
To: [Douglas, Luke](#)
Cc: [Winters, Melissa](#); [FGC: NHFG review](#); [Schulz, Jessica](#); [Mauck, Ridgely](#); [Lindsey Lefebvere](#); caguida@fieldstonelandconsultants.com
Subject: RE: NHB23-0966 Barrett Hill Road Wilton - Wetland File #2022-06478
Date: Wednesday, May 17, 2023 4:41:53 PM
Attachments: [3029WT00B_NHDES.pdf](#)

EXTERNAL: Do not open attachments or click on links unless you recognize and trust the sender.

Luke,

Thanks for all your help with this project. We really appreciate getting back to us this quickly. Attached is the revised plan including your recommendations and the attached turtle flyer. I believe this meets all of your recommendations.

If any changes result as part of further review process with Wetlands Bureau, Alteration of Terrain, or local review we will be sure you include NHFG on all correspondence and keep you apprised of any and all changes.

Thanks again,

Ken

From: Douglas, Luke <Luke.M.Douglas@wildlife.nh.gov>
Sent: Wednesday, May 17, 2023 2:10 PM
To: kmrobinson [fieldstonelandconsultants.com](mailto:kmrobinson@fieldstonelandconsultants.com) <kmrobinson@fieldstonelandconsultants.com>
Cc: Winters, Melissa <Melissa.J.Winters@wildlife.nh.gov>; FGC: NHFG review <NHFGreview@wildlife.nh.gov>; Schulz, Jessica <Jessica.L.Schulz@des.nh.gov>; Mauck, Ridgely <Addison.R.Mauck@des.nh.gov>; Lindsey Lefebvere <lindsey.e.lefebvre@usace.army.mil>; caguida [fieldstonelandconsultants.com](mailto:caguida@fieldstonelandconsultants.com) <caguida@fieldstonelandconsultants.com>
Subject: NHB23-0966 Barrett Hill Road Wilton - Wetland File #2022-06478

Good afternoon Ken,

New Hampshire Fish and Game has completed review of materials submitted for consultation for NHB23-0966 on 3/28/2023 (site plans dated 5/4/2023), prepared by Fieldstone Land Consultants, PLLC. The project involves the construction of a driveway for access to seven residential lots with a wetland crossing off of Barrett Hill Road (Parcel A-44-1) in Wilton.

Permits applications associated with this project include:

- Wetlands Dredge & Fill (minor) – File #2022-03478
- Alteration of Terrain (to be filed)

Based on the NHB datacheck results letter and the information provided in the submission, we request the following recommended permit conditions. THESE RECOMMENDED PERMIT

CONDITIONS ARE APPLICABLE TO ALL STATE PERMITS LISTED ABOVE.

- For consideration in the AoT permit review process, please incorporate recommendations along with associated materials as detailed, into the final sheet plans as written below (updated highlighted text as applicable) and provide to NHDES and cc NHFG for final review.
- For all other permits, please include recommended permit conditions in final plan sheets plans as written below (updated highlighted text as applicable) and provide to NHDES and cc NHFG for final review. Permit reviewers will adopt/include NHFG permit conditions in the permit if approved.

PLEASE NOTE: NHFG is aware that a public hearing will be scheduled to discuss the project and associated wetland concerns. We are providing the recommendations below under the understanding that any changes that result from the public hearing or AoT review process will need to be submitted to NHFG for further consultation, as stated in our 5/1/2023 email. Any changes to the project design, wetland delineation, or lot layout shall render the recommendations issued below as null and void until additional consultation with NHFG is sought.

New Hampshire Fish and Game Recommended Permit Conditions:

1. Spotted turtle (state threatened) and Blanding's turtle (state endangered) occur within the vicinity of the project area. All operators and personnel working on or entering the site shall be made aware of the potential presence of these species and shall be provided flyers that help to identify these species, along with NHFG contact information.
2. Rare species information (e.g. identification, observation and reporting of observations, when to contact NHFG immediately and NHFG contact information) shall be communicated during morning tailgate meetings prior to work commencement during the construction phase of the project. **See Plan Sheet xxxxxx *Include attached flyers to plan sheet set.***
3. Turtles may be attracted to disturbed ground during nesting season. Turtle nesting season occurs approximately May 15th – June 30th. All turtle species nests are protected by NH laws. If a nest is observed or suspected, operators shall contact Melissa Winters (603-479-1129) or Josh Megyesy (978-578-0802) at NHFG immediately for further consultation. The nest or suspected nest shall be marked (surrounding roped off or cone buffer deployed) and avoided; this shall be communicated to all personnel onsite. Site activities shall not occur in the area surrounding the nest or suspected nest until further guidance is provided by NHFG.
4. A 50 ft. no-cut, no-disturb buffer shall be maintained around all wetlands on site as depicted on the plan of reference (see attached map *3029EH01_NHFG-EXHIBIT.pdf*), except for the areas explicitly identified for the wetland crossing. The 50 ft. no-cut, no-disturb buffer shall be maintained and conserved in perpetuity in accordance with Fis 1003.02 (e). Placards shall be installed at the back edge of each lot denoting the 50 ft. buffer as no-cut, no-disturb.
5. The 36" culvert for the wetland crossing shall be a CMP or RCP.
6. All manufactured erosion and sediment control products, with the exception of turf reinforcement mats, utilized for, but not limited to, slope protection, runoff diversion, slope interruption, perimeter control, inlet protection, check dams, and sediment traps shall not contain plastic, or multifilament or monofilament polypropylene netting or mesh with an opening size of greater than 1/8 inches.
7. All observations of threatened or endangered species on the project site shall be reported immediately to the NHFG nongame and endangered wildlife environmental review program by phone at 603-271-2461 and by email at NHFGreview@wildlife.nh.gov, with the email subject line containing the NHB DataCheck tool results letter assigned number, the project

- name, and the term Wildlife Species Observation.
8. Photographs of the observed species and nearby elements of habitat or areas of land disturbance shall be provided to NHFG in digital format at the above email address for verification, as feasible.
 9. In the event a threatened or endangered species is observed on the project site during the term of the permit, the species shall not be disturbed, handled, or harmed in any way prior to consultation with NHFG and implementation of corrective actions recommended by NHFG.
 - a. Site operators shall be allowed to relocate wildlife encountered if discovered within the active work zone if in direct harm from project activities. Wildlife shall be relocated in close proximity to the capture location but outside of the work zone and in the direction the individual was heading. NHFG shall be contacted immediately if this action occurs.
 10. The NHFG, including its employees and authorized agents, shall have access to the property during the term of the permit.

NHFG has completed our review of materials submitted for consultation under FIS 1004. No further coordination with NHFG is requested, and the final recommendations have been transmitted to the applicable permitting agency. Questions or concerns on NHFG recommendations must follow FIS 1004.12. Note that NHFG recommendations may be withdrawn pursuant to FIS 1004.13.

Luke Douglas
Wildlife Biologist
NH Fish and Game Department
Wildlife Division
11 Hazen Drive
Concord, NH 03301
(603) 271-0788

New Hampshire Fish and Game requirements for environmental review consultation can be found at: https://gencourt.state.nh.us/rules/state_agencies/fis1000.html. ALL requests for consultation and submittals should be sent via email to NHFGreview@wildlife.nh.gov or can be sent hardcopy by mail. **The NHB datacheck results letter number needs to be included in the email subject line to read as "NHBxx-xxxx_Project Name_FIS 1004 Consultation Submittal".**

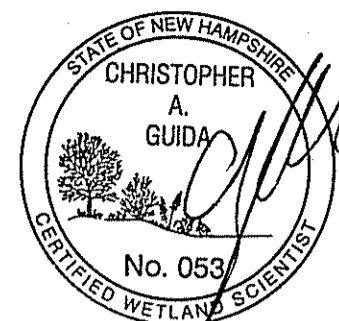
The requirements for consultation (Fis 1004) shall not apply to the following: statutory permit by notification, permit by rule, permit by notification, routine roadway registration, docking structure registration, or conditional authorization by rule. Review requests for these projects or other project types should be submitted to NHFGreview@wildlife.nh.gov or can be sent hardcopy by mail – email or mail subject line for these review requests should read **"NHBxx-xxxx_Project Name_ Env. Review Request"**.

Please provide shapefiles/KMZ/KMLs of the project site (and relevant features if applicable) with your submittal. Review statements provided in the NHB Datacheck Results letter for additional guidance.

CERTIFICATION:

WETLANDS WERE DELINEATED IN ACCORDANCE WITH THE U.S. ARMY CORPS OF ENGINEERS 1987 WETLANDS DELINEATION MANUAL Y-87-1 AND REGIONAL SUPPLEMENT FOR NORTHEAST AND NORTHCENTRAL REGION AND FIELD INDICATORS FOR HYDRIC SOILS IN NEW ENGLAND, BY CHRISTOPHER A. GUIDA, C.W.S. IN OCTOBER, 2021 & AUGUST, 2022.

DATE: 5/17/23



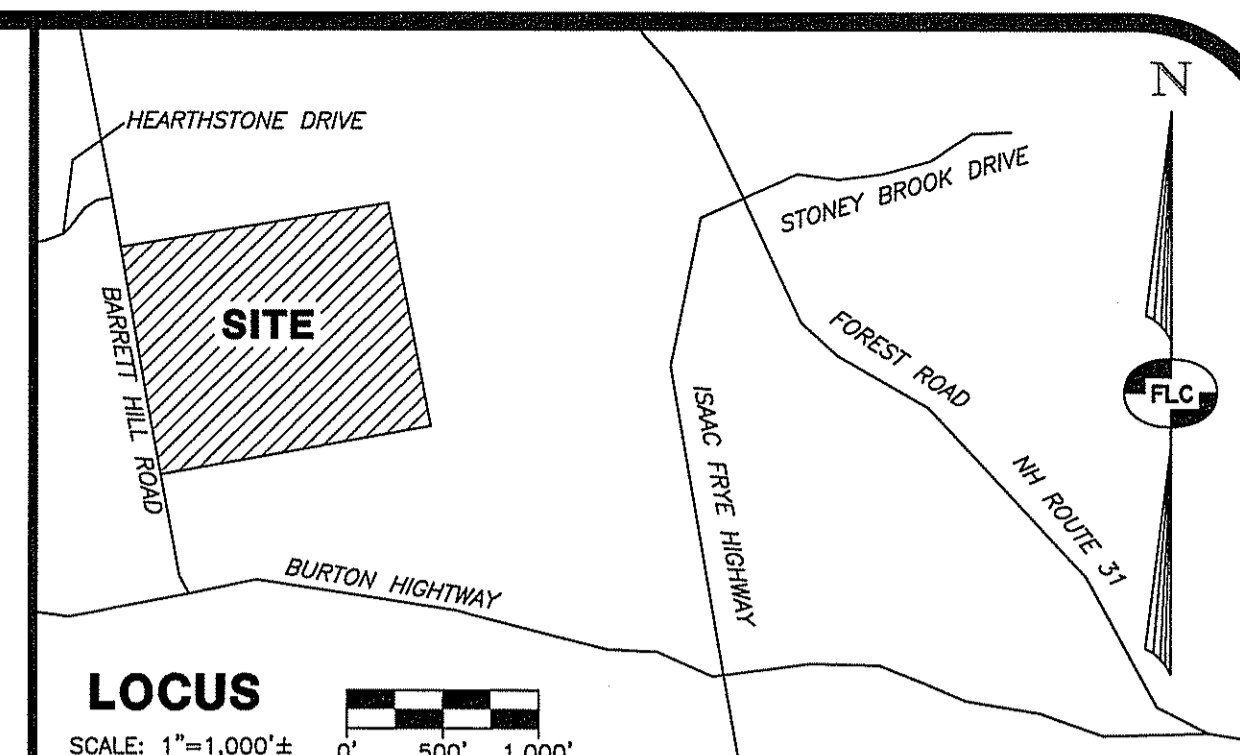
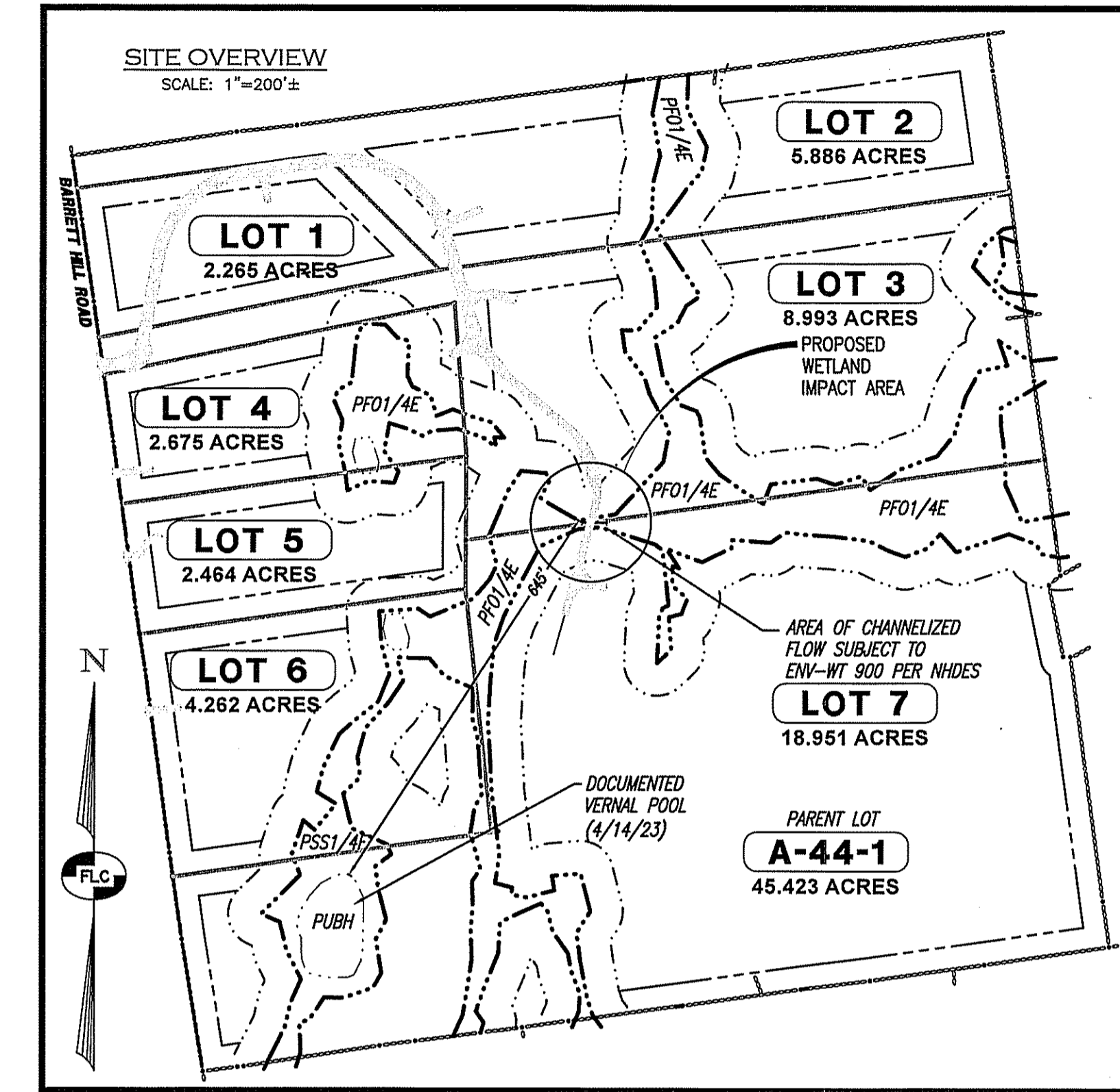
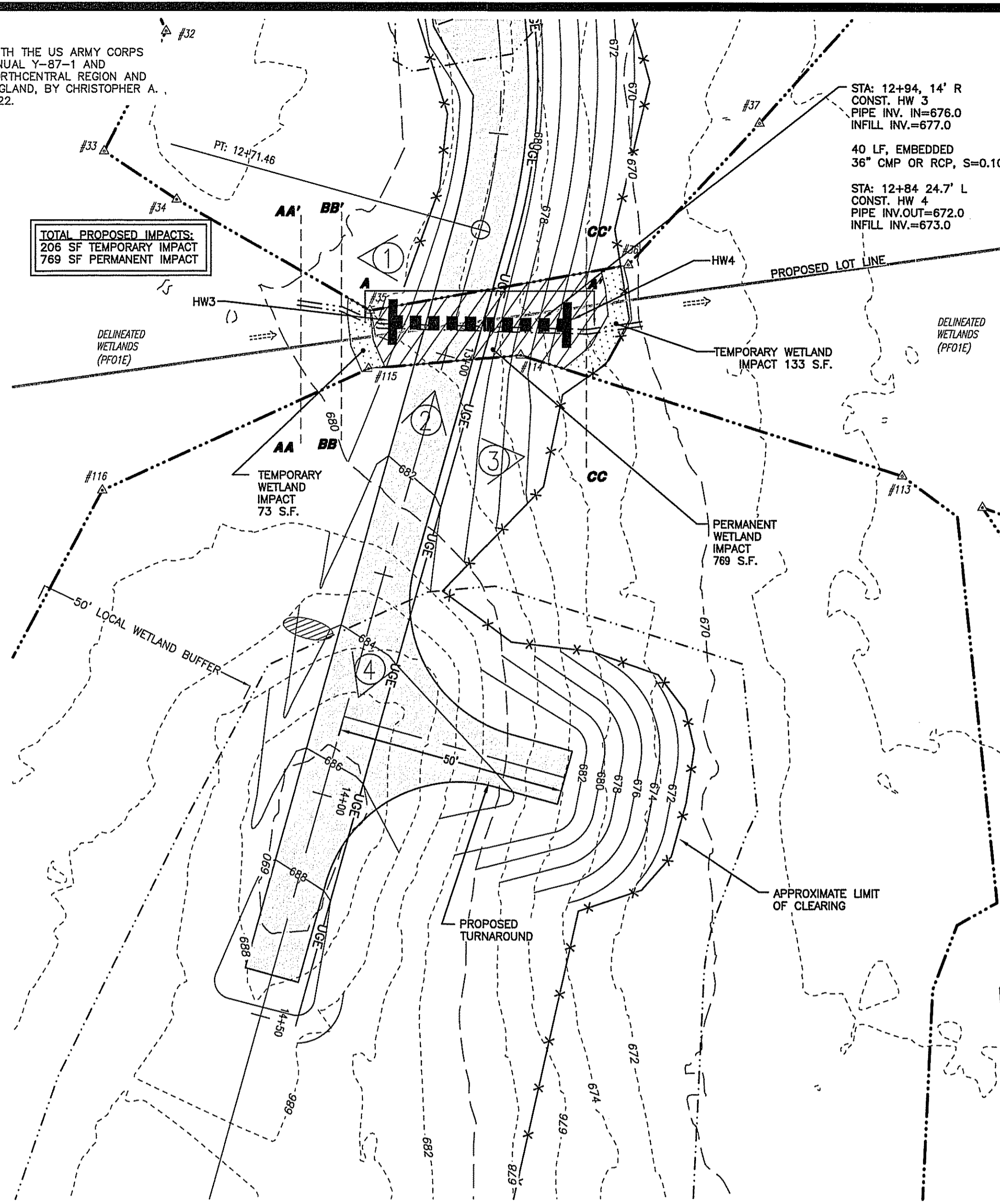
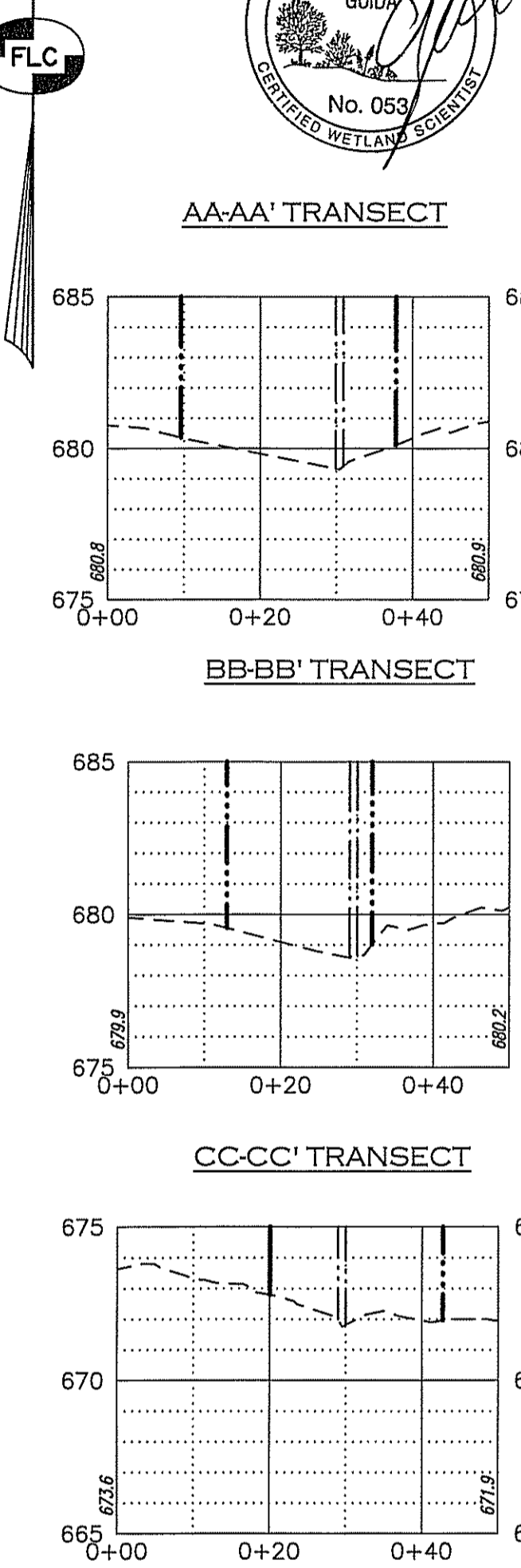
TOTAL PROPOSED IMPACTS:
206 SF TEMPORARY IMPACT
769 SF PERMANENT IMPACT

STA: 12+94, 14' R
CONST. HW 3
PIPE INV. IN=676.0
INFILL INV.=677.0
40 LF, EMBEDDED
36" CMP OR RCP, S=0.10'/1'

STA: 12+84, 24.7' L
CONST. HW 4
PIPE INV. OUT=672.0
INFILL INV.=673.0

PERMITTING NOTE:

THIS PLAN IS FOR NHDES WETLAND PERMITTING PURPOSES ONLY AND IS NOT TO BE USED FOR CONSTRUCTION OR ANY OTHER PURPOSE. SHOULD WETLAND IMPACTS CHANGE DUE TO REVISIONS TO THE ENGINEERING PLAN AND PROFILE OR ANY OTHER REASON, AN AMENDMENT WILL BE REQUIRED WITH NH DES WETLANDS BUREAU.



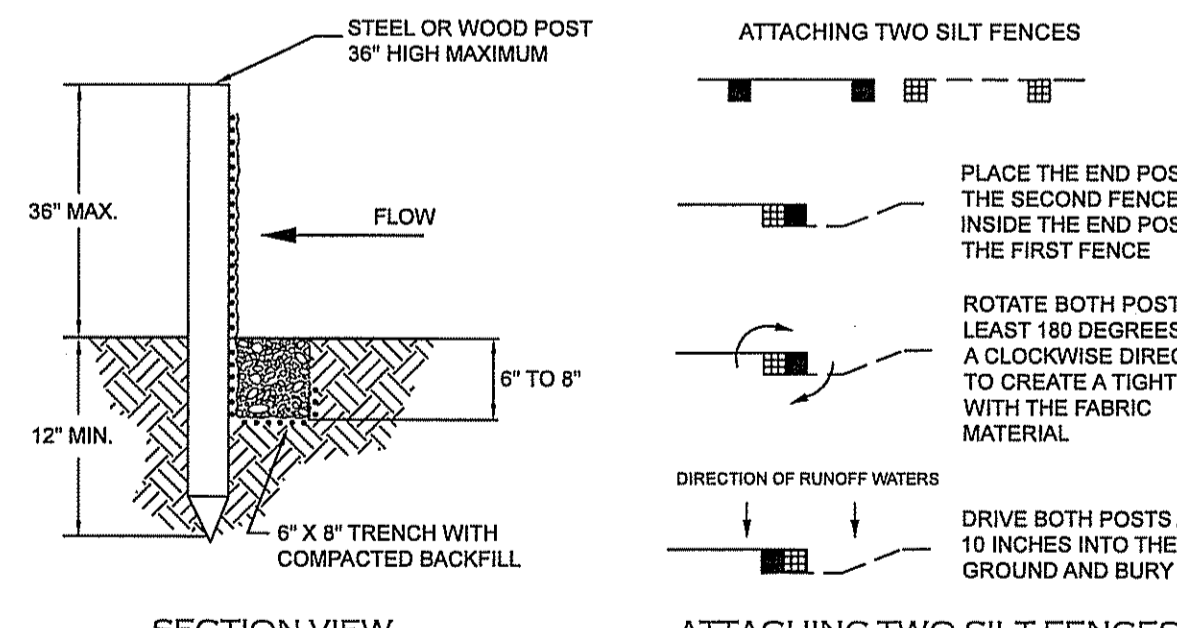
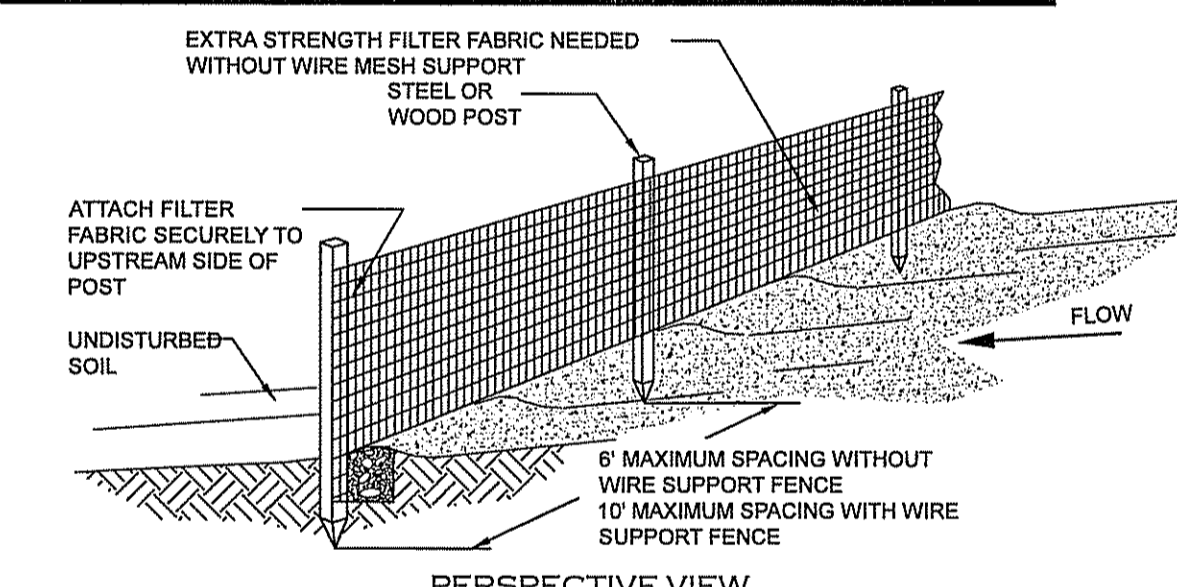
LEGEND:

EXISTING FEATURES:	PROPOSED FEATURES:
— RIGHT-OF-WAY LINE	--- PROPOSED CULVERT WITH HEADWALL
— BOUNDARY LINE	--- PROPOSED LOT LINE
— ABUTTING LOT LINE	--- PROPOSED DRIVEWAY
— BUILDING SETBACK LINE	X X EROSION CONTROL / SILT FENCE
--- 10' CONTOUR INTERVAL	--- CHECK DAM
--- 2' CONTOUR INTERVAL	--- 360' 10' CONTOUR INTERVAL
--- WETLAND SETBACK LINE	--- 358' 2' CONTOUR INTERVAL
--- EDGE OF WETLANDS	--- PERMANENT IMPACT
#33 DELINEATION FLAG & NUMBER	--- TEMPORARY IMPACT
--- EDGE OF GRAVEL	
--- STONE WALL	
• D.H.(F) DRILL HOLE FOUND	
• D.H.(S) DRILL HOLE SET	
• L.P.I.P.E.(F) IRON PIPE FOUND	
• L.P.I.N.(S) IRON PIN OR DRILL HOLE TO BE SET	
• G.B.(S) GRANITE BOUND TO BE SET	
• WELL	
• A-44-1 TAX MAP & LOT NUMBER	
③ PHOTO LOCATION AND DIRECTION	

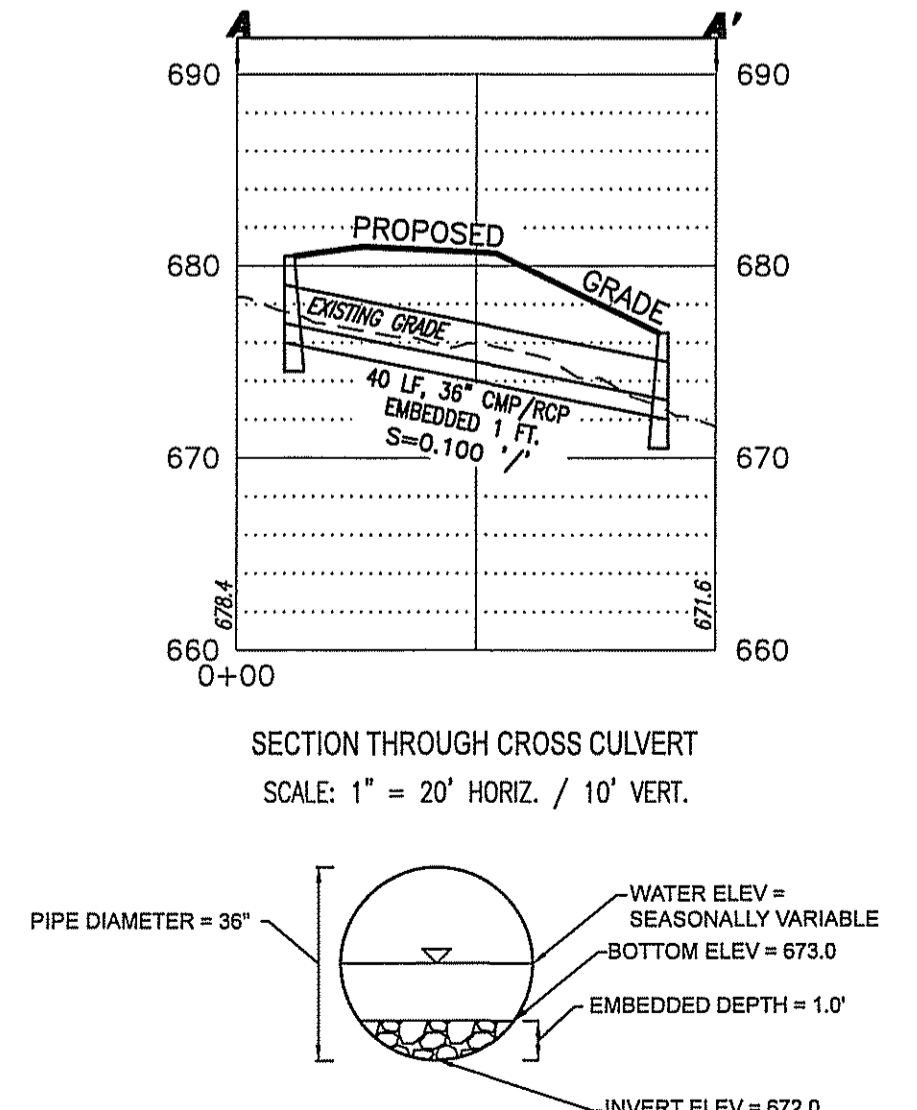
WETLAND NOTE:

PF01/4E: PALUSTRINE FORESTED BROAD-LEAVED DECIDUOUS/NEEDLE-LEAVED EVERGREEN SEASONALLY FLOODED/SATURATED
 PSS1/4F: PALUSTRINE SCRUB-SHRUB BROAD-LEAVED DECIDUOUS/NEEDLE-LEAVED EVERGREEN SEMIPERMANENTLY FLOODED
 PUBH: PALUSTRINE UNCONSOLIDATED BOTTOM, PERMANENTLY FLOODED

VERNAL POOL SURVEY CONDUCTED BY CHRISTOPHER A. GUIDA, CWS ON APRIL 14, 2023



- ALL CONSTRUCTION SHALL CONFORM TO THE APPLICABLE REQUIREMENTS AND SPECIFICATIONS OF THE TOWN OF WILTON.
- THE CONTRACTOR SHALL BE RESPONSIBLE FOR VERIFYING THE LOCATION, SIZE, AND ELEVATION OF ALL EXISTING UTILITIES SHOWN OR NOT SHOWN ON THESE PLANS AND SHALL VERIFY THAT ALL THE INFORMATION SHOWN HEREON IS CONSISTENT, COMPLETE, ACCURATE, AND CAN BE CONSTRUCTED PRIOR TO AND/OR DURING CONSTRUCTION. THE DESIGN ENGINEER, SHALL BE NOTIFIED IN WRITING OF ANY DISCREPANCIES, ERRORS, OMISSIONS, OR EXISTING UTILITIES FOUND INTERFERING WITH THE PROPOSED CONSTRUCTION SO THAT REMEDIAL ACTION MAY BE TAKEN BEFORE PROCEEDING WITH THE WORK.
- THE CONTRACTOR SHALL CONTACT "DIGSAFE" 72 HOURS PRIOR TO THE START OF CONSTRUCTION (1-800-255-4977 IN NH).
- COMPLIANCE WITH ALL APPLICABLE REGULATIONS AND SPECIAL CONDITIONS OF WILTON AGENCIES, SUCH AS THE PLANNING BOARD, ZONING BOARD, CONSERVATION COMMISSION, AND OTHERS, IS MANDATORY AND IS THE RESPONSIBILITY OF THE OWNER.
- ANY ALTERATION OF THIS DESIGN OR CHANGE DURING CONSTRUCTION MAY REQUIRE APPROVAL OF VARIOUS TOWN/CITY BOARDS OR AGENCIES AND SHALL BE DISCUSSED WITH THE OWNER AND FIELDSTONE LAND CONSULTANTS, PLLC. PRIOR TO CONSTRUCTION.
- THE CONTRACTOR IS RESPONSIBLE FOR CONTACTING THE APPROPRIATE TOWN DEPARTMENTS PRIOR TO CONSTRUCTION TO ARRANGE FOR NECESSARY INSPECTIONS.
- THE CONTRACTOR IS RESPONSIBLE FOR MAINTAINING ACCURATE AS-BUILT INFORMATION OF ALL WORK, ESPECIALLY UNDERGROUND CONSTRUCTION OF UTILITY LINES, SERVICES, CONNECTIONS, ETC. AND APPROPRIATE TIES TO ABOVE GROUND PERMANENT STRUCTURES, FIELD SURVEY COORDINATES, OR SOME OTHER METHOD OF ESTABLISHING THE AS-BUILT CONDITION OF ALL CONSTRUCTION.
- THE CONTRACTOR AND OWNER ARE RESPONSIBLE FOR OBSERVING AND MANAGING THE PROJECT PER RSA 430:53 AND AGR 3800 REGARDING INVASIVE SPECIES (PLANTS AND INSECTS). NO INVASIVE SPECIES PLANT OR INSECT SHALL BE INTRODUCED ONTO THE SITE.



- ALL WORK IS TO BE CONDUCTED DURING LOW FLOW CONDITIONS.
- INSTALL STONE CHECK DAMS AND SILTATION CONTROL DEVICES IN LOCATIONS SHOWN ON PLANS. EROSION AND SEDIMENTATION CONTROL MEASURES SHALL BE INSTALLED PRIOR TO ANY EARTH MOVING OPERATION.
- INSTALL STABILIZED CONSTRUCTION ENTRANCE(S).
- CUT AND CLEAR TREES; DISPOSE OF DEBRIS. STUMPS ARE TO BE GROUND ON-SITE AND TAILINGS USED FOR EROSION CONTROL.
- REMOVE TOPSOIL AND STOCKPILE AWAY FROM ANY WETLAND. STABILIZE STOCKPILE IMMEDIATELY BY SEEDING. PLACE SILT FENCE AROUND THE DOWN SLOPE SIDE OF EARTH STOCKPILES.
- ROUGH GRADE DRIVEWAY - INSTALL CROSS CULVERTS, CONSTRUCT DRAINAGE SWALES DURING INITIAL PORTION OF CONSTRUCTION. STABILIZE IMMEDIATELY PER THE CONSTRUCTION AND EROSION CONTROL DETAILS. DO NOT DIRECT STORM WATER RUNOFF TO THESE STRUCTURES UNTIL A HEALTHY VEGETATIVE COVER IS ESTABLISHED.
- CONSTRUCT ROAD AND INSTALL DRAINAGE PIPES AND STRUCTURES. ALL CUT AND FILL SLOPES SHALL BE STABILIZED UPON COMPLETION OF ROUGH GRADING PER THE EROSION CONTROL NOTES.
- PLACE STONE CHECK DAMS AROUND INLETS AROUND ALL STRUCTURES UNTIL ROAD IS PAVED AND ALL NON-PAVED DISTURBED AREAS HAVE A HEALTHY VEGETATIVE COVER.
- INSPECT AND MAINTAIN EROSION CONTROL MEASURES ON A WEEKLY BASIS AND AFTER EVERY 0.5" OR GREATER RAINFALL.
- FINISH GRADING TO PREPARE FOR LOAMING. ALL DISTURBED AREAS SHALL BE STABILIZED WITHIN 72 HOURS AFTER FINAL GRADING.
- PERMANENT SEEDING SHALL BE PERFORMED UPON COMPLETION OF DRIVEWAY CONSTRUCTION.
- COMPLETE PERMANENT SEEDING AND LANDSCAPING.
- TEMPORARY EROSION CONTROL MEASURES SHALL BE REMOVED WHEN ALL DISTURBED AREAS HAVE BEEN STABILIZED.
- ALL STRUCTURES SHALL BE CLEANED OF SEDIMENTS ONCE CONSTRUCTION IS COMPLETE.

- NOTES:**
- SILT FENCES SHOULD NOT BE USED ACROSS STREAMS, CHANNELS, SWALES, DITCHES OR OTHER DRAINAGE WAYS.
 - SILT FENCE SHOULD BE INSTALLED FOLLOWING THE CONTOUR OF THE LAND AS CLOSELY AS POSSIBLE AND THE ENDS OF THE SILT FENCE SHOULD BE FLARED UPSLOPE.
 - IF THE SITE CONDITIONS INCLUDE FROZEN GROUND, LEDGE OR THE PRESENCE OF HEAVY ROOTS THE BASE OF THE FABRIC SHOULD BE EMBEDDED WITH A MINIMUM THICKNESS OF 8 INCHES OF 3/4-INCH STONE.
 - SILT FENCES PLACED AT THE TOE OF SLOPES SHOULD BE INSTALLED AT LEAST 6 FEET FROM THE TOE TO ALLOW SPACE FOR SHALLOW PONDING AND ACCESS FOR MAINTENANCE.
 - THE MAXIMUM SLOPE ABOVE THE FENCE SHOULD BE 2:1 AND THE MAXIMUM LENGTH OF SLOPE ABOVE THE FENCE SHOULD BE 100 FEET.
 - REMOVED SEDIMENT SHALL BE DEPOSITED TO AN AREA THAT WILL NOT CONTRIBUTE TO SEDIMENT OFF-SITE AND CAN BE PERMANENTLY STABILIZED.
 - SILT FENCES SHOULD BE REMOVED WHEN THE UPSLOPE AREAS HAVE BEEN PERMANENTLY STABILIZED.

GENERAL CONSTRUCTION NOTES 1 WT-1

EMBEDDED CULVERT 2 WT-1

CONSTRUCTION SEQUENCE NOTES 3 WT-1

SILT FENCE 4 WT-1

- NOTES:**
- THE OWNER OF RECORD FOR TAX MAP LOT A-44-1 IS SAN-KEN HOMES, INC - 586 TURNPIKE ROAD, NEW IPSWICH NH 03071 SEC H.C.R.D. BK. 9511 PG. 1239 DATED: AUGUST 13, 2021.
 - THE PURPOSE OF THIS PLAN IS TO DEPICT A PROPOSED WETLAND CROSSING LOCATION FOR PERMITTING THROUGH NH DES WETLAND BUREAU. TOWN OF WILTON ZONING BOARD OF ADJUSTMENT APPROVAL CASE#10/11/22-3, DECIDED TUESDAY, NOVEMBER 8, 2022.
 - THE BOUNDARY INFORMATION SHOWN WAS DEVELOPED FROM THE REFERENCE PLANS CITED HEREON TOGETHER WITH AN ON THE GROUND FIELD SURVEY PERFORMED BY THIS OFFICE DURING THE MONTH OF SEPTEMBER, 2021.
 - THE SUBJECT PARCEL LIES OUTSIDE THE WELLDHEM PROTECTION AREA (WHPA). PORTIONS OF THE SITE LIE WITHIN THE WETLANDS CONSERVATION DISTRICT, BUILDINGS MUST BE SETBACK 50 FEET FROM DELINEATED WETLANDS. THE ENTIRE SITE LIES OUTSIDE THE AQUIFER PROTECTION DISTRICT. A PORTION OF PROPOSED LOT 7 IS SUBJECT TO THE WATERSHED PROTECTION OVERLAY DISTRICT.
 - PROPOSED LOTS ARE TO BE SERVICED BY INDIVIDUAL SEPTIC SYSTEMS AND WELLS.
 - SUBJECT PARCELS LIE OUTSIDE THE FLOOD HAZARD AREA AS DETERMINED FROM THE FLOOD INSURANCE STUDY (FIRM), HILLSBOROUGH COUNTY, NEW HAMPSHIRE, TOWN OF WILTON, COMMUNITY NO. 330102 PREPARED BY THE FEDERAL EMERGENCY MANAGEMENT AGENCY, MAP 33011C0431D, DATED SEPTEMBER 25, 2009.
 - HORIZONTAL ORIENTATION AND VERTICAL DATUM ARE NAD_83 AND NAVD 88 RESPECTIVELY PER A GPS CORS SOLUTION.

REV.	DATE	DESCRIPTION	C/O	DR	CK
B	5/17/23	REVISED PER NHFG CONSULTATION	NHDES	KMR	CAG
A	4/14/23	REVISED PER NHDES RFMI	NHDES	KMR	CAG

WETLAND PERMITTING PLAN
TAX MAP A LOT 44-1
(BARRETT HILL ROAD)
WILTON, NEW HAMPSHIRE
 PREPARED FOR AND LAND OF:
SAN-KEN HOMES, INC.
 586 TURNPIKE ROAD - NEW IPSWICH NH 03071

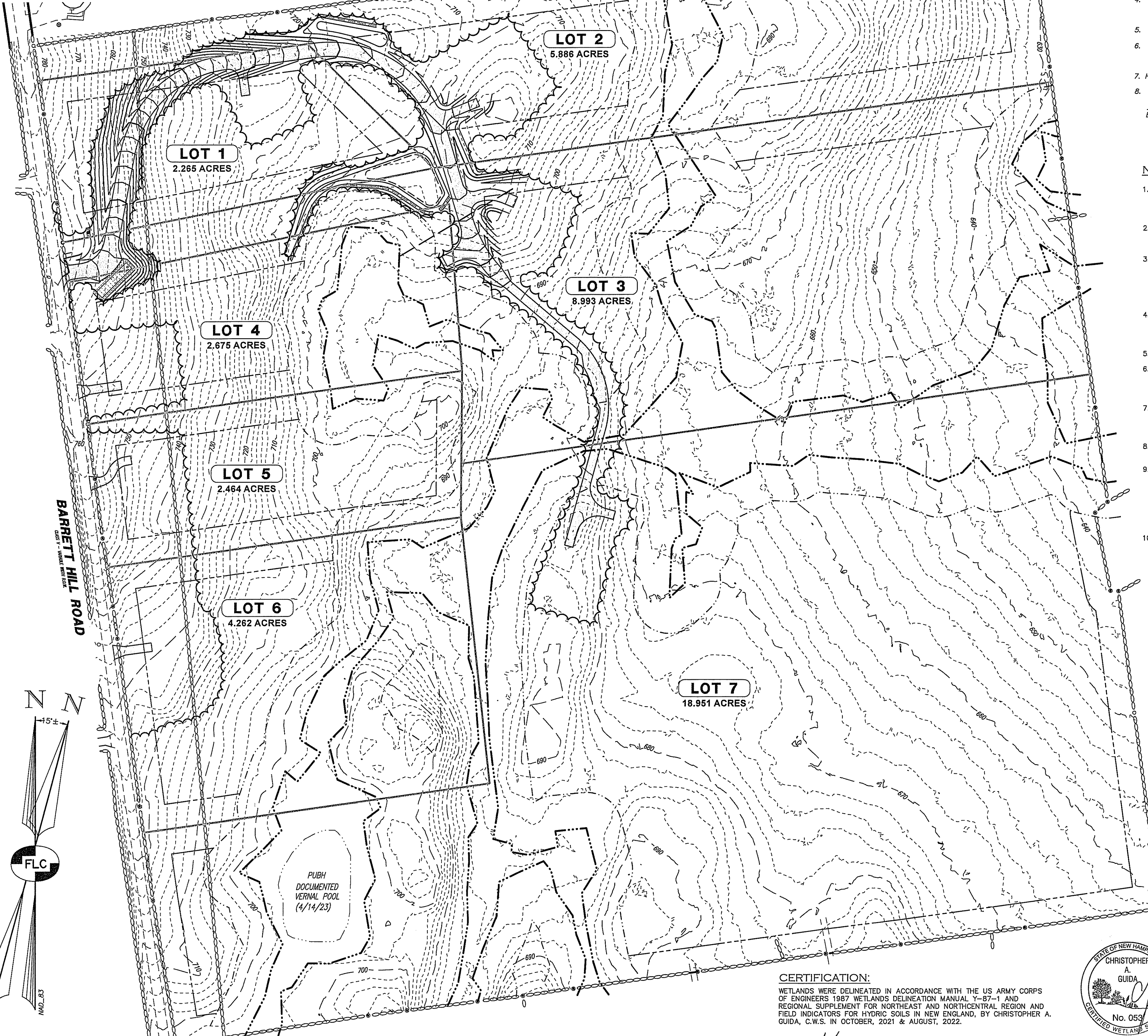
SCALE: 1" = 20' DECEMBER 7, 2022

Surveying ♦ Engineering ♦ Land Planning ♦ Permitting ♦ Septic Designs

FIELDSTONE
 LAND CONSULTANTS, PLLC

206 Elm Street, Milford, NH 03055
 Phone: (603) 672-5456 Fax: (603) 413-5456
 www.FieldstoneLandConsultants.com

CONTACT DIG SAFE
72 HOURS PRIOR
TO CONSTRUCTION
DIGSAFE.COM
OR DIAL 8 1 1
CALL 811 - KNOW WHAT'S BELOW
DigSafe
MA-ME-NH-VT



NOTES:

1. THE OWNER OF RECORD FOR TAX MAP LOT A-44-1 IS SAN-KEN HOMES, INC - 586 TURNPIKE ROAD, NEW IPSWICH NH 03071 SEE H.C.R.D. BK. 9511 PG. 1239 DATED: AUGUST 13, 2021.
2. THE PURPOSE OF THIS PLAN IS TO DEPICT A PROPOSED WETLAND CROSSING LOCATION FOR PERMITTING THROUGH NH DES WETLAND BUREAU. TOWN OF WILTON ZONING BOARD OF ADJUSTMENT APPROVAL CASE#10/11/22-3, DECIDED TUESDAY, NOVEMBER 8, 2022.
3. THE BOUNDARY INFORMATION SHOWN WAS DEVELOPED FROM THE REFERENCE PLANS CITED HEREON TOGETHER WITH AN ON THE GROUND FIELD SURVEY PERFORMED BY THIS OFFICE DURING THE MONTH OF SEPTEMBER, 2021.
4. THE SUBJECT PARCEL LIES OUTSIDE THE WETLAND PROTECTION AREA (WHPA). PORTIONS OF THE SITE LIE WITHIN THE WETLANDS CONSERVATION DISTRICT, BUILDINGS MUST BE SETBACK 50 FEET FROM DELINEATED WETLANDS. THE ENTIRE SITE LIES OUTSIDE THE AQUIFER PROTECTION DISTRICT. A PORTION OF PROPOSED LOT 7 IS SUBJECT TO THE WATERSHED PROTECTION OVERLAY DISTRICT.
5. PROPOSED LOTS ARE TO BE SERVICED BY INDIVIDUAL SEPTIC SYSTEMS AND WELLS.
6. SUBJECT PARCELS LIE OUTSIDE THE FLOOD HAZARD AREA AS DETERMINED FROM THE FLOOD INSURANCE STUDY (FIRM), HILLSBOROUGH COUNTY, NEW HAMPSHIRE, TOWN OF WILTON, COMMUNITY NO. 330102 PREPARED BY THE FEDERAL EMERGENCY MANAGEMENT AGENCY, MAP 33011C0431D, DATED SEPTEMBER 25, 2009.
7. HORIZONTAL ORIENTATION AND VERTICAL DATUM ARE NAD_83 AND NAVD 88 RESPECTIVELY PER A GPS CORS SOLUTION.
8. 50-FT SETBACK IS SUBJECT TO WILTON ZONING ORDINANCE SECTION 4.6.7.

WETLANDS CONSERVATION DISTRICT SETBACK:

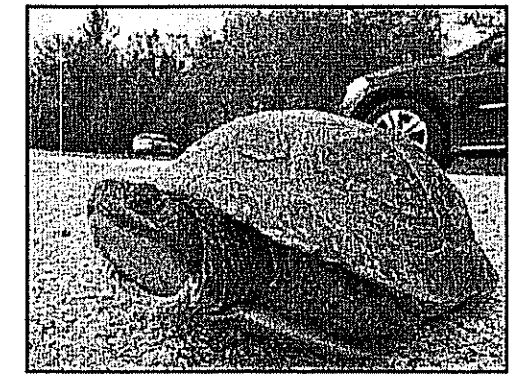
BUILDINGS MUST BE SET BACK FIFTY (50) FEET FROM DELINEATED WETLANDS. WETLANDS BOUNDARIES SHALL BE DELINEATED ON THE BASIS OF HYDROPHYTIC VEGETATION, HYDRIC SOILS, AND WETLANDS HYDROLOGY, BY EITHER A CERTIFIED SOIL SCIENTIST OR A CERTIFIED WETLANDS SCIENTIST IN ACCORDANCE WITH THE TECHNIQUES AND STANDARDS OUTLINED IN THE CORPS OF ENGINEERS "WETLANDS DELINEATION MANUAL," 1987, AND THE NEW HAMPSHIRE DEPARTMENT OF ENVIRONMENTAL SERVICES WETLANDS BUREAU "WETLANDS RULES."

NEW HAMPSHIRE FISH AND GAME RECOMMENDED PERMIT CONDITIONS:

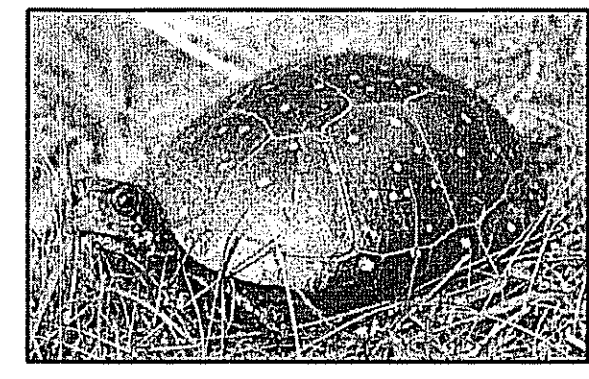
1. SPOTTED TURTLE (STATE THREATENED) AND BLANDING'S TURTLE (STATE ENDANGERED) OCCUR WITHIN THE VICINITY OF THE PROJECT AREA. ALL OPERATORS SERVING THE SITE SHALL BE MADE AWARE OF THE POTENTIAL PRESENCE OF THESE SPECIES AND SHALL BE PROVIDED FLYERS THAT HELP TO IDENTIFY THESE SPECIES, ALONG WITH NHFG CONTACT INFORMATION.
2. RARE SPECIES INFORMATION (E.G. IDENTIFICATION, OBSERVATION AND REPORTING OF OBSERVATIONS, WHEN TO CONTACT NHFG IMMEDIATELY AND NHFG CONTACT INFORMATION) SHALL BE COMMUNICATED DURING MORNING TAILGATE MEETINGS PRIOR TO WORK COMMENCEMENT DURING THE CONSTRUCTION PHASE OF THE PROJECT. SEE PLAN SHEET WT-2 FOR FLYERS TO PLAN SHEET SET.
3. TURTLES MAY BE ATTRACTED TO DISTURBED GROUND DURING NESTING SEASON. TURTLE NESTING SEASON OCCURS APPROXIMATELY MAY 15TH - JUNE 30TH. ALL TURTLE SPECIES NESTS ARE PROTECTED BY NH LAWS. IF A NEST IS OBSERVED OR SUSPECTED, OPERATORS SHALL CONTACT MELISSA WINTERS (603-479-1129) OR JOSH MEGYESY (978-578-0802) AT NHFG IMMEDIATELY FOR FURTHER CONSULTATION. THE NEST OR SUSPECTED NEST SHALL BE MARKED (SURROUNDING ROPED OFF OR CONE BUFFER DEPLOYED) AND AVOIDED; THIS SHALL BE COMMUNICATED TO ALL PERSONNEL ONSITE. SITE ACTIVITIES SHALL NOT OCCUR IN THE AREA SURROUNDING THE NEST OR SUSPECTED NEST UNTIL FURTHER GUIDANCE IS PROVIDED BY NHFG.
4. A 50 FT. NO-CUT, NO-DISTURB BUFFER SHALL BE MAINTAINED AROUND ALL WETLANDS ON SITE AS DEPICTED ON THE PLAN OF REFERENCE, EXCEPT FOR THE AREAS EXPLICITLY IDENTIFIED FOR THE WETLAND CROSSING. THE 50 FT. NO-CUT, NO-DISTURB BUFFER SHALL BE MAINTAINED AND CONSERVED IN PERPETUITY IN ACCORDANCE WITH FIS 1003.02 (E). PLACARDS SHALL BE INSTALLED AT THE BACK EDGE OF EACH LOT DENOTING THE 50 FT. BUFFER AS NO-CUT, NO-DISTURB.
5. THE 36" CULVERT FOR THE WETLAND CROSSING SHALL BE A CMP OR RCP.
6. ALL MANUFACTURED EROSION AND SEDIMENT CONTROL PRODUCTS, WITH THE EXCEPTION OF TURF REINFORCEMENT MATS, UTILIZED FOR, BUT NOT LIMITED TO, SLOPE PROTECTION, RUNOFF DIVERSION, SLOPE INTERRUPTION, PERIMETER CONTROL, INLET PROTECTION, CHECK DAMS, AND SEDIMENT TRAPS SHALL NOT CONTAIN PLASTIC, OR MULTIFILAMENT OR MONOFILAMENT POLYPROPYLENE NETTING OR MESH WITH AN OPENING SIZE OF GREATER THAN 1/8 INCHES.
7. ALL OBSERVATIONS OF THREATENED OR ENDANGERED SPECIES ON THE PROJECT SITE SHALL BE REPORTED IMMEDIATELY TO THE NHFG NONGAME AND ENDANGERED WILDLIFE ENVIRONMENTAL REVIEW PROGRAM BY PHONE AT 603-271-2461 AND BY EMAIL AT NHFORREV@WILDLIFE.NH.GOV, WITH THE EMAIL SUBJECT LINE CONTAINING THE NHB DATACHECK TOOL RESULTS LETTER ASSIGNED NUMBER, THE PROJECT NAME, AND THE TERM WILDLIFE SPECIES OBSERVATION.
8. PHOTOGRAPHS OF THE OBSERVED SPECIES AND NEARBY ELEMENTS OF HABITAT OR AREAS OF LAND DISTURBANCE SHALL BE PROVIDED TO NHFG IN DIGITAL FORMAT AT THE ABOVE EMAIL ADDRESS FOR VERIFICATION, AS FEASIBLE.
9. IN THE EVENT A THREATENED OR ENDANGERED SPECIES IS OBSERVED ON THE PROJECT SITE DURING THE TERM OF THE PERMIT, THE SPECIES SHALL NOT BE DISTURBED, HANDLED, OR HARMED IN ANY WAY PRIOR TO CONSULTATION WITH NHFG AND IMPLEMENTATION OF CORRECTIVE ACTIONS RECOMMENDED BY NHFG.
A. SITE OPERATORS SHALL BE ALLOWED TO RELOCATE WILDLIFE ENCOUNTERED IF DISCOVERED WITHIN THE ACTIVE WORK ZONE IF IN DIRECT HARM FROM PROJECT ACTIVITIES. WILDLIFE SHALL BE RELOCATED IN CLOSE PROXIMITY TO THE CAPTURE LOCATION BUT OUTSIDE OF THE WORK ZONE AND IN THE DIRECTION THE INDIVIDUAL WAS HEADING. NHFG SHALL BE CONTACTED IMMEDIATELY IF THIS ACTION OCCURS.
10. THE NHFG, INCLUDING ITS EMPLOYEES AND AUTHORIZED AGENTS, SHALL HAVE ACCESS TO THE PROPERTY DURING THE TERM OF THE PERMIT.

PLEASE REPORT OBSERVATIONS OF RARE TURTLES
The NH Fish & Game Department is requesting observations of the following turtle species

Turtles may be attracted to disturbed ground during nesting season (May 15th - June 30th)
Turtles are most active from April 15th - October 15th - maintain silt fences during this time



Blanding's turtle
(State Endangered)
Large, dark/black domed shell with lighter speckles.
Distinct yellow throat/chin.
Aquatic but often moves on land.



Spotted turtle
(State Threatened)
Small, mostly aquatic with black or dark brown with yellow spots.
Fairly flat shell compared to Blanding's turtle.
Spots vary in color and number.

Fis 1401.03 (a) No person shall take or possess a spotted turtle (*Clemmys guttata*), Blanding's turtle (*Emydoidea blandingii*), or any egg or part thereof.

Report sightings immediately to NHFG Wildlife Division at 603-271-2461 (M-F 8-4) or to NHFG Wildlife Biologist Melissa Winters: 603-479-1129 (all anytime).
Please report promptly, noting specific location and date - Photographs strongly encouraged

LEGEND:

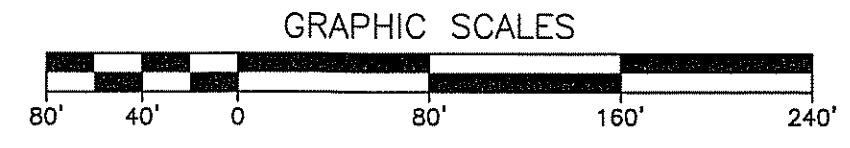
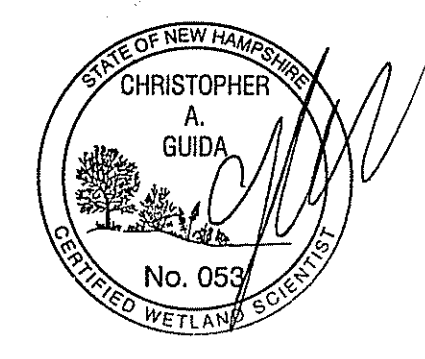
EXISTING FEATURES:

- RIGHT-OF-WAY LINE
- BOUNDARY LINE
- ABUTTING LOT LINE
- BUILDING SETBACK LINE
- 10' CONTOUR INTERVAL
- 10' CONTOUR INTERVAL
- WETLAND SETBACK LINE
- EDGE OF WETLANDS
- EDGE OF GRAVEL
- STONE WALL
- D.H.(f) DRILL HOLE FOUND
- D.H.(s) DRILL HOLE SET
- LIPIPE(f) IRON PIPE FOUND

PROPOSED FEATURES:

- LIMIT OF CLEARING
- PROPOSED LOT LINE
- 10' CONTOUR INTERVAL
- 2' CONTOUR INTERVAL
- DRIVEWAY

CERTIFICATION:
WETLANDS WERE DELINEATED IN ACCORDANCE WITH THE US ARMY CORPS OF ENGINEERS 1987 WETLANDS DELINEATION MANUAL Y-87-1 AND REGIONAL SUPPLEMENT FOR NORTHEAST AND NORTHCENTRAL REGION AND FIELD INDICATORS FOR HYDRIC SOILS IN NEW ENGLAND, BY CHRISTOPHER A. GUIDA, C.W.S. IN OCTOBER, 2021 & AUGUST, 2022.
DATE: 5/10/23



Surveying & Engineering & Land Planning & Permitting & Septic Designs
FIELDSTONE
LAND CONSULTANTS, PLLC
206 Elm Street, Milford, NH 03055
Phone: (603)-413-5456 Fax: (603)-413-5456
www.FieldstoneLandConsultants.com

REV.	DATE	DESCRIPTION	DR	CK
A	5/17/23	REVISED PER NHFG CONSULTATION		

NEW HAMPSHIRE FISH & GAME CONSULT EXHIBIT
SAN-KEN HOMES, LLC
PLANS ISSUED FOR:
NHFG
TAX MAP A LOT 44-1
WILTON, NEW HAMPSHIRE
MAY 4, 2023
SCALE: 1" = 80'
FILE: 3029WTD00B.dwg
WT-2
SHEET
PROJECT NO. 3029.01
SHEET NO. 2 OF 2